



arcoelectrónica

HUMIDITY PROBE MIXER ARCOMIX

MODELS OF HUMIDITY PROBE MIXER ARCOMIX

- COD. A03652201 ANALOGUE OUTPUT
- COD. A03652203 COMUNICACION RS/485
- COD. A03652205 COMUNICACION CAN

Analogue output 0-20mA
 Communication CAN
 Communication RS-485



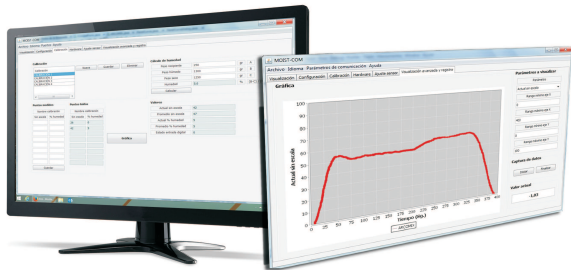
High resistance ceramic

Stainless steel covering

Professional equipment designed to **mixers** humidity measurement, It is based on microwave emission system it makes a continuous reading of flow materials during mixing process.

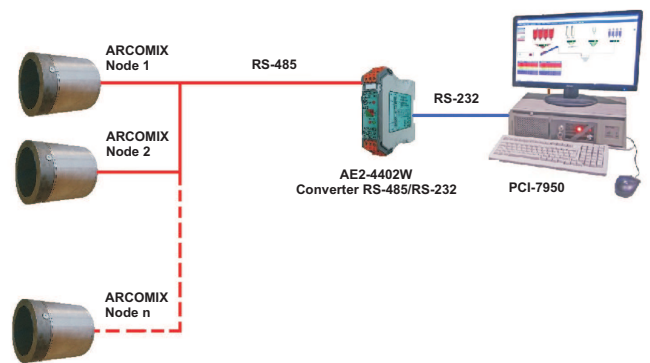
It allows automation and correction of water in concrete processes while mixing.

SOFTWARE MOISTCOM



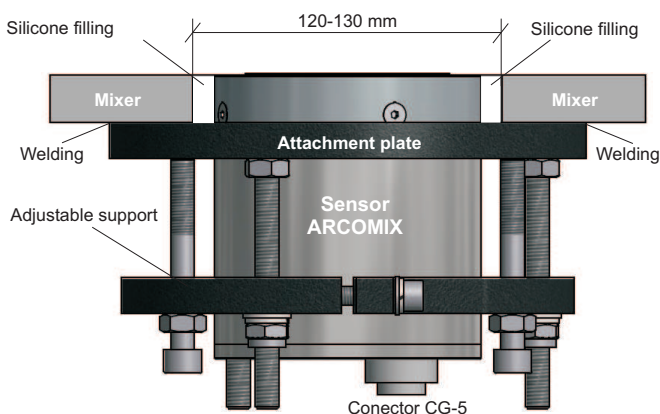
- Calibration, adjustment and sensor diagnosis.
- Security copy and parameter restoring.
- Username and password Access.

PC CONNECTION



Connection until 16 sensors.

INSTALLATION



Easy to install with adjustable support



HUMIDITY PROBE MIXER ARCOMIX

TECNICAL DATA

Feeding tension	18-36VDC.
Power	2W Maximum
Humidity range	Usually 2-15% or until material saturation.
Penetration	65-100mm. Aprox. Depending on materials
Digital communication	1 Port RS-485 + 1 CAN port optocoupler
Analogue output	2 Outputs 0/4-20mA 16 configurable bits.
Control input	1 digital optocoupler input to processes control
Working temperature	De 0 a 40 °C

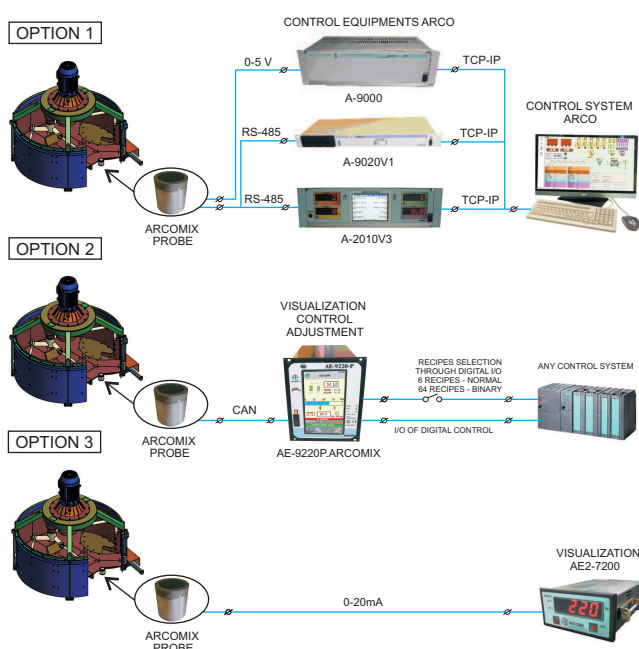
DIMENSIONS



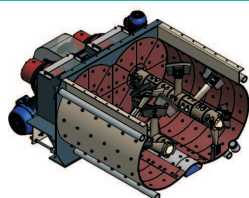
PRODUCTS AND ACCESSORIES

CODE	DESCRIPTION	MODEL
A03506612	Humidity probe ARCOMIX	AE-9715
AS0501002105	Calibration Software / adjustable	MOISTCOM
A03580108	Attachment plate to be welded to the mixer	
A03580109	Adjustable support	
A03580110	Protection lid ARCOMIX	
A03580115	Ceramic replacement Kit	
AE203509010	Signal converter RS-232 / RS-422/485	AE2-4402W
AE203509015	Feeding tension 230VAC / 24VDC, 0,5A	AE2-4510
Ae03503255	Patch cord 4 meters	L-9715-3
AE203509530	AE2-7320 link RS-485 / Wireless 2,4GHz	AE2-7320

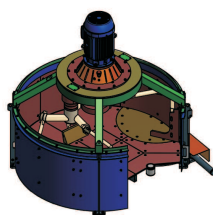
CONTROL SYSTEM CONNECTION



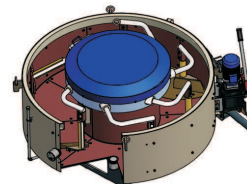
POSSIBLE INSTALLATIONS



DOUBLE
 SHAFT MIXER



PLANETARY
 MIXER



VERTICAL
 MIXER

COMPLEMENTS



CERAMIC REPLACEMENT KIT



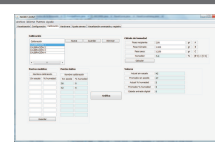
ADJUSTABLE SUPPORT



INDICATOR AE2-7200



CONVERTER AE2-4402W



SOFTWARE MOISTCOM



EQUIPMENT AE-9220P.ARCOMIX